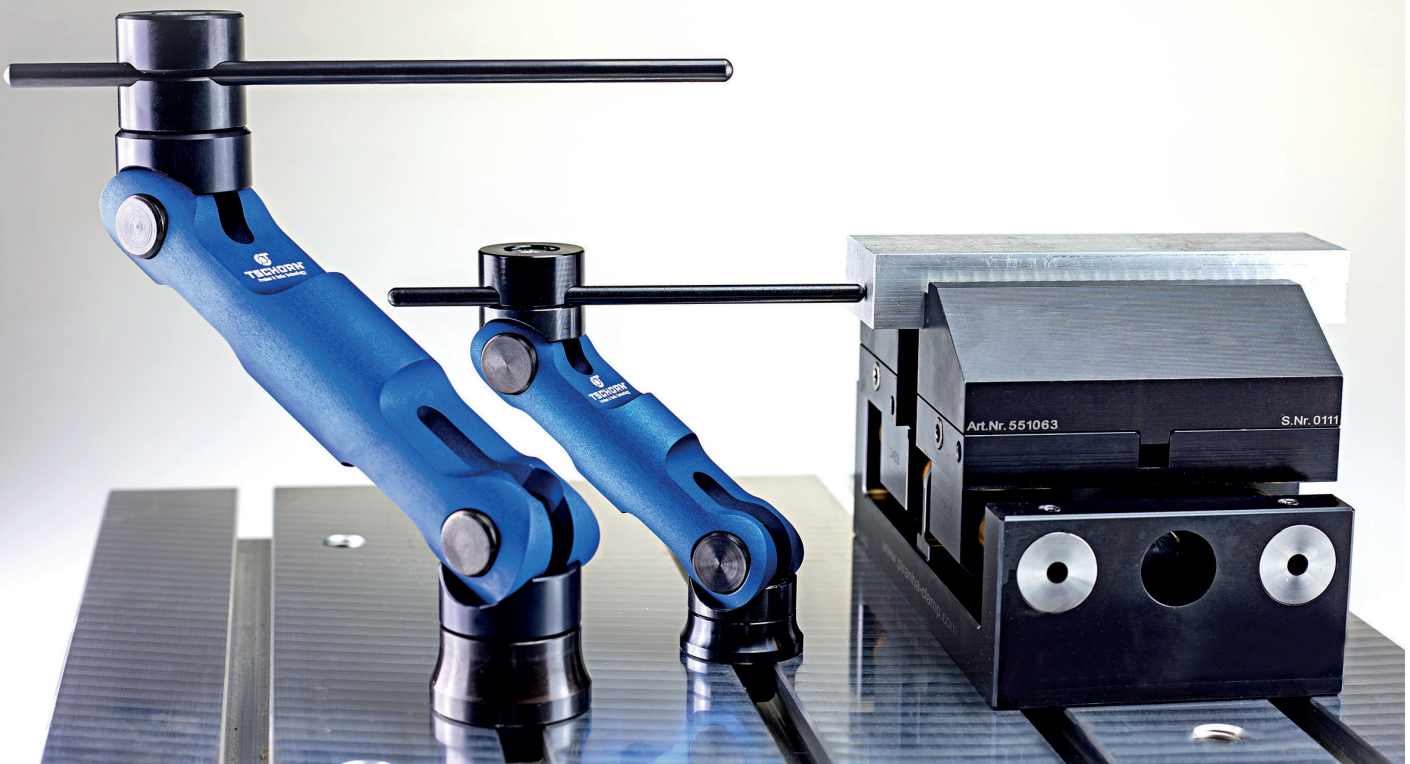




# TSCHORN®

Probes & Tools Technology

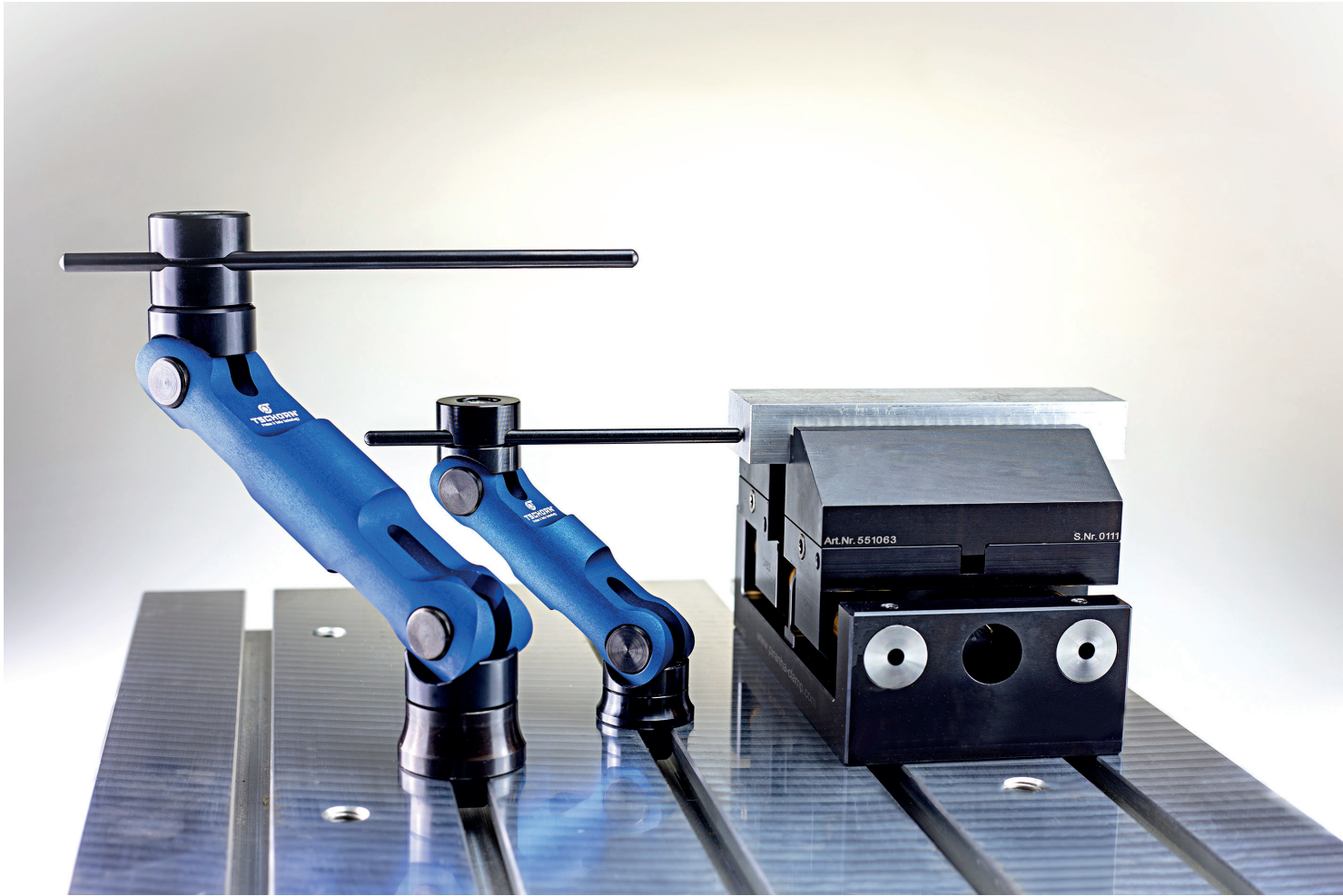


Stops



## Workpiece stopper

Stops



### Order data

#### Application:

One of the various application of the workpiece stopper is as a versatile instrument for the positioning on processing machines or during assembly.

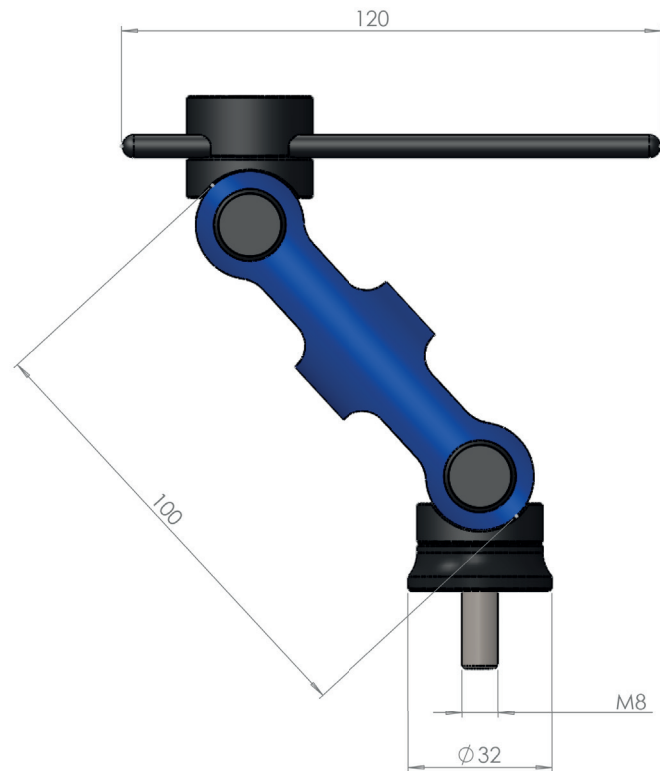
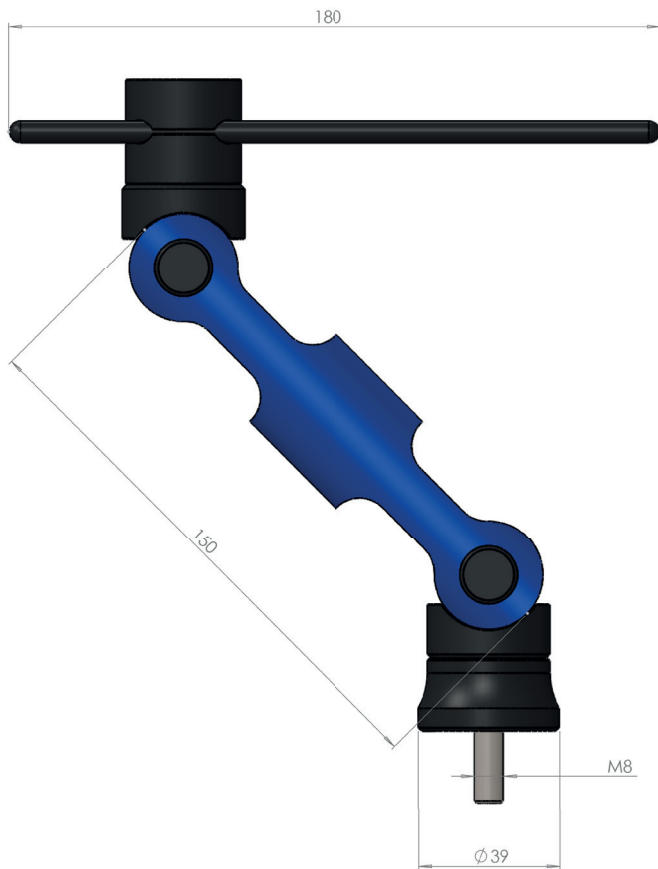
#### Delivery includes:

Workpiece stopper with slide block M8x12.

Article No.	Description	Size
003420150	Workpiece stopper classic 150 mm	150
003420100	Workpiece stopper compact 100 mm	100



### Workpiece stoppers with magnet



Stops

### Spare parts:

**Slide block**  
10 - 18 mm



Article No.	Description	Size
003400Z01	Combination element	
002080028	Slide block	M8 x 10
002140301	Slide block	M8 x 12
002140327	Slide block	M8 x 14
002153460	Slide block	M8 x 16
002153478	Slide block	M8 x 18



**Combination element**  
to extend or to  
combine two stoppers

## Stops with magnet



With its built-in magnets the workpiece stopper gets fixed directly to a bench vice (for example) and applies for exact positioning of your workpiece. After clamping, it can simply be removed and releases the positioning surface for processing.

The FlexiMag version is also equipped with a flexible rotate and swivel mechanism and makes it possible to position in a wide variety of places.



Article No.	Description	Shank	Holding force
003420001	FlexiMag - workpiece stopper	Ø30	200 N
003420002	EasyMag - workpiece stopper	Ø30	200 N

